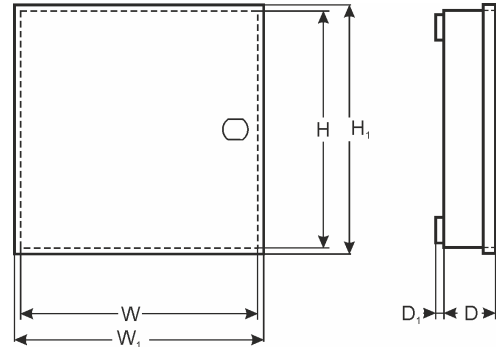


CODE: **AWO220 v1.7/III**  
 NAME: **17/TRP40/DSPR/S**



## DESTINATION

**DSC:** (PC 1404, 1616, 1832, 1864,4020) + 5108 (4108, 5208, 5100, 4116)

**MODULES:** (PC 5204, 5400, 5580, 5200, 4216,4204) + (5108, 5208, 4108, 5100, 4116)

**PARADOX:** (E55, E65, 728ULT, EVO48, EVO192, SP4000, SP5500, SP6000, SP7000) + ZX 8 (ZX 4, HUB2, PGM4)

**RISCO:** PRO24 z 17 Ah

PRO116, 128, 140 z 7Ah

**SATEL:** CA4V1, CA5, CA6

(VERSA 5, 10, 15, CA10) + CA10E (CA 64E, SM, MST1)

(INTEGRA 24, 32) + CA64E (SM)

**MODULES:** CA64 (PP, EPS, ADR, O-R, O-ROC, O-OC, OPS-OC, OPS-R, OPS-ROC, VGM- 16, SR, PTSA) + CA64E (SM)

**PYRONIX:** MATRIX 424, 6, 816, 832, 832+

**CROW:** RUNNER 4,8

**TEXECOM:** PREMIER 412, 816, 832, 48, 88, 168, 640

**TELMOR:** TCA- 824 + TEX800

**ROGER:** PR402, CPR 32-SE

**EBS:** PX 202A

**PULSAR:** MS1012, MSR1012, MSRK1012

MS2012, MSR2012, MSRK2012

## TECHNICAL DATA

**External dimensions of the enclosure:** W=320, H=305, D+D<sub>1</sub>=90+8 [+/-2 mm]

**External dimensions of the front panel:** W<sub>1</sub>=325, H<sub>1</sub>=310 [+/-2 mm]

**Weight net/gross:** 3,00kg / 3,20kg [+/-0,1kg]

**Battery space:** 17Ah/12V Sealed Lead Acid (SLA)

**Transformer:** TRP 40VA/16V/18V in the case of PC/ABC in class UL94-V0, IP30

**Power supply** 230V/AC (-15%/+10%), 50Hz, 200mA (max.)

**Power supply output:** U<sub>1</sub>=16V/AC or U<sub>2</sub>=18V/AC (-5%, +15%), I<sub>1</sub>=2,2A or I<sub>2</sub>=2,0A (max.)

**Operating environment:** class II , -10°C+ 40°C

**Material description:** sheet steel DC01, thickness: 0,7mm, protection anticorrosion, color: RAL 9003

**Destination:** indoor

**Tamper protection:** 1 x microswitch: opening, 0,5A@50V/DC max. NC

**Closing:** screwed x 4

**Notes:** optional: lockable, distance from wall (mounting surface) - 8mm, easy door removal

**Declaration, warranty:** CE, 2 year from the production date